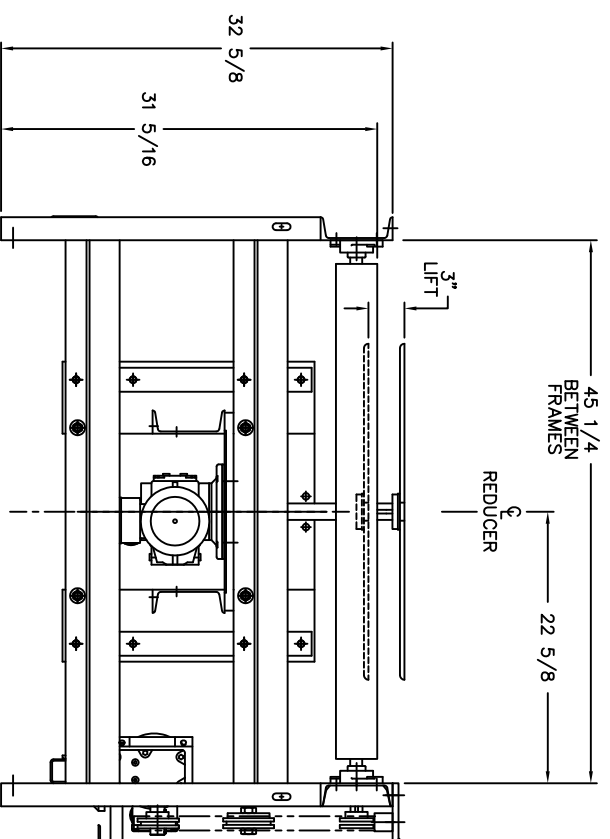
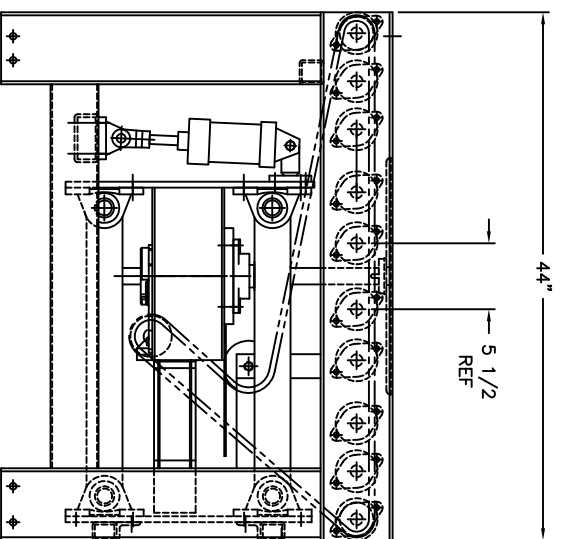


1. GRID ROTATES BOTH CLOCKWISE AND COUNTER CLOCKWISE



NOTES:

1. REMOVE GRID WHEN ADJUSTING AND TESTING ROTATIONAL POSITION PROX SWITCHES TO AVOID DAMAGE TO RUBBER ROLLERS.
2. REMOVE FLANGE BEARING GREASE FITTINGS AND INSTALL PLUGS.

REV	QTY	DESCRIPTION	BILL OF MATERIAL	PART NUMBER
CAD REF:				
<b>PACKAGING SYSTEMS INTERNATIONAL, Inc.</b> 4890 KODIA ST. DENVER, CO 80218				
CUSTOMER TITLE ASSY. CENTER POP-UP CONVEYOR - L.H. TURNING GRID, W/O DRIVE, SERVO LIFT		P.S.I. ORDER # SHEET NO. 1 OF 1		
TOOLS/TOOLS SPECIFIED DECIMAL .0005 ±.010 FRACTIONAL # 1/16 ANGLE 31°		ADDRESS 4890 KODIA ST. DENVER, CO 80218		
DO NOT SCALE DRAWING		DATE 3-7-17 SCALE 1/8		
DRAWN BY CHECKED BY		DRAWING NUMBER 01-06-000009-20		